

PROPRIETARY AND CONFIDENTIAL

THE INFORMATION CONTAINED IN THIS DRAWING IS THE SOLE PROPERTY OF DYTRAN INSTRUMENTS INC. ANY REPRODUCTION IN PART OR AS A WHOLE WITHOUT THE WRITTEN PERMISSION OF DYTRAN INSTRUMENTS INC. IS PROHIBITED

REVISIONS

REV.	ECN	DESCRIPTION	BY/DATE	CHK	APPR
B	14594	OPTIONAL MOUNTING SCREW ADDITION	DP 10/25/18	RA	AS

D

D

C

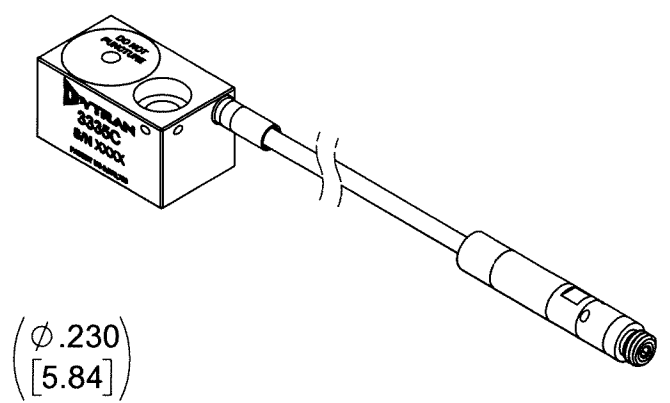
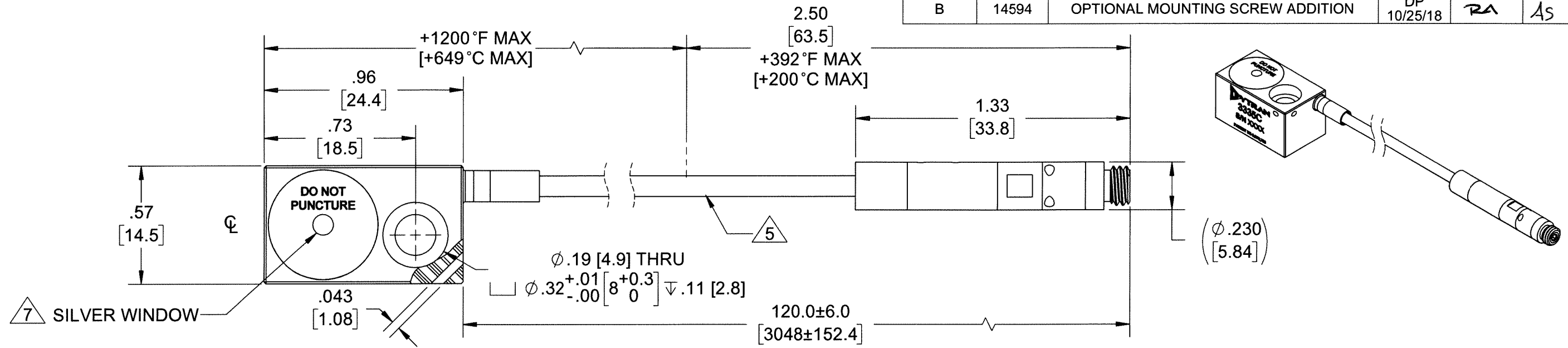
C

B

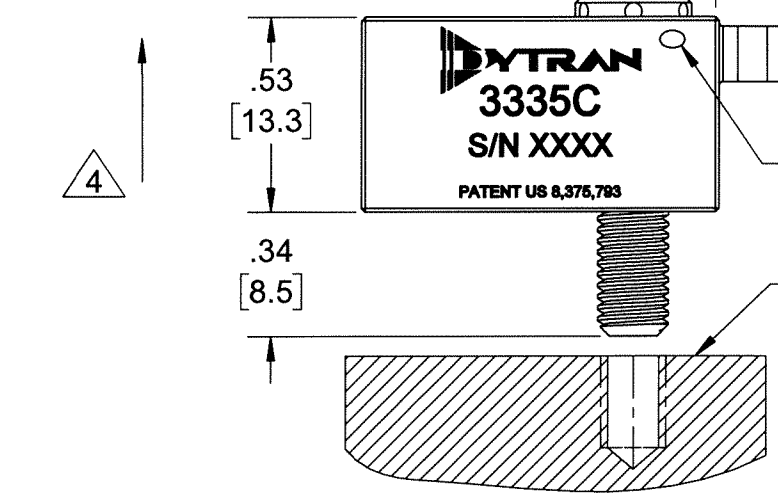
B

A

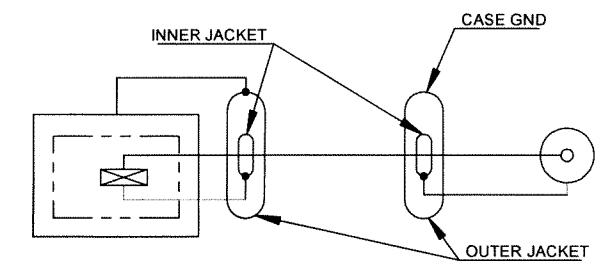
A



MOUNTING SCREW, MODEL 6971, SHCS, 10-32 X .75 L, SUPPLIED. MOUNTING SCREW MODEL 69074 OPTIONAL.



RECOMMENDED MOUNTING PREPARATION: PREPARE A FLAT MOUNTING SURFACE, 1.0 X .50 [25.4 X 12.7] MIN, FLAT TO .001 TIR TAP 10-32 UNF-2B $\nabla .40 [10.2]$ MIN. TORQUE TO 10-12 Lb-in.



SCHEMATIC DIAGRAM

- 7 US PATENT NUMBER US 8,375,793 B2
- 6 DO NOT BEND CABLE WITHIN INDICATED SECTION ON BOTH ENDS OF CABLE. DO NOT BEND CABLE WHILE SENSOR IS INSTALLED.
- 5 HARDLINE CABLE: - JACKET: STAINLESS STEEL
- INSULATION: SILICONE DIOXIDE
- CONDUCTOR: STAINLESS STEEL
- MINIMUM BEND RADIUS: 1.5 IN
- 4 ARROW INDICATES DIRECTION OF ACCELERATION FOR NEGATIVE CHARGE OUTPUT

- 3. HOUSING MATERIAL: ALLOY 600
 - 2. WEIGHT, LESS CABLE: 35 GRAMS, MAX.
 - 1. CHARGE SENSITIVITY: 1 - 2 pC/g
- NOTES: UNLESS OTHERWISE SPECIFIED

UNLESS OTHERWISE SPECIFIED: INTERPRET DIM & TOL PER ASME Y14.5M - 1994. REMOVE BURRS. COUNTERSINK INTERNAL THDS 90° TO MAJOR DIA. CHAM EXT THDS 45° TO MINOR DIA. THD LENGTHS AND DEPTHS ARE FOR MIN FULL THDS. DIMENSIONS APPLY AFTER FINISHING.	UNLESS OTHERWISE SPECIFIED: DIMENSIONS ARE IN INCHES. DIMENSIONS IN BRACKETS [] ARE IN MILLIMETERS TOLERANCES ARE:				MASTER Chatsworth, CA ONLY IF IN RED		
	DECIMALS .XX ±.03 .XXX ±.010	METRIC .X ± 0.8 .XX ±0.25					ANGLES ±1°
	APPROVALS		DATE		TITLE:	SIZE	
	ORIG LN CHK DV APP AS	07/19/13 04/14/17 04/17/17	07/19/13 04/14/17 04/17/17	07/19/13 04/14/17 04/17/17	CAGE CODE 2W033 DWG NO 127-3335C	REV B	
ALL MACHINED SURFACES: \checkmark TOTAL RUNOUT WITHIN .005. BREAK SHARP EDGES .005 TO .010. MACHINED FILLET RADII .005 TO .015. WELDING SYMBOLS PER AWS A2.4. ABBREVIATIONS PER MIL-STD-12.		DO NOT SCALE DRAWING		THIRD ANGLE PROJECTION USA	SCALE: 2:1	PART NO: 3335C	SHEET 1 OF 1



- HERMETICALLY SEALED
- HIGH TEMPERATURE (1200°F [649°C]) OPERATION
- CASE GROUND ISOLATED

PHYSICAL

Weight, Max. (Less Cable)
 Connector
 Mounting Provision
 Material
 Element Style

	ENGLISH		SI	
Type	1.23	oz	35	grams
Connector	10-32		10-32	
Mounting Provision	10-32 Screw		10-32 Screw	
Housing	Alloy 600		Alloy 600	
Connector	Stainless Steel		Stainless Steel	
Material	Single Crystal		Single Crystal	
Type	Planar Shear		Planar Shear	

PERFORMANCE

Sensitivity [1]
 Frequency Response
 Resonant Frequency
 Capacitance
 Linearity [2]
 Maximum Transverse sensitivity
 Strain Sensitivity
 Insulation resistance
 Output Polarity

	ENGLISH		SI	
Sensitivity [1]	1 - 2	pC/g	0.1 - 0.2	pC/m/s ²
Frequency Response	[3] to 2500	Hz	[3] to 2500	Hz
	[3] to 3500	Hz	[3] to 3500	Hz
	[3] to 5000	Hz	[3] to 5000	Hz
Resonant Frequency	> 20	kHz	> 20	kHz
Capacitance	340	pF	340	pF
Linearity [2]	± 1%	% F.S.	± 1%	% F.S.
Maximum Transverse sensitivity	5	%	5	%
Strain Sensitivity	0.002	g/με	0.02	m/s ² /με
Insulation resistance	at 75°F >1.0E8	Ω	at 24°C >1.0E8	Ω
	at 1200°F >5.0E4	Ω	at 649°C >5.0E4	Ω
Output Polarity	Negative		Negative	

ENVIRONMENTAL

Maximum Vibration
 Maximum Shock
 Temperature Range
 Seal
 Ground Isolation

	ENGLISH		SI	
Maximum Vibration	±1000	G, peak	±9810	m/s ² , peak
Maximum Shock	±2000	G, peak	±19620	m/s ² , peak
Temperature Range	-60 to +1200	°F	-51 to +649	°C
Seal	Hermetic		Hermetic	
Ground Isolation	>1.0E8	Ω	>1.0E8	Ω

This family also includes:

Model	Sensitivity (pC/g)	Range F.S (G's)	Output Polarity	Temperature (°F)

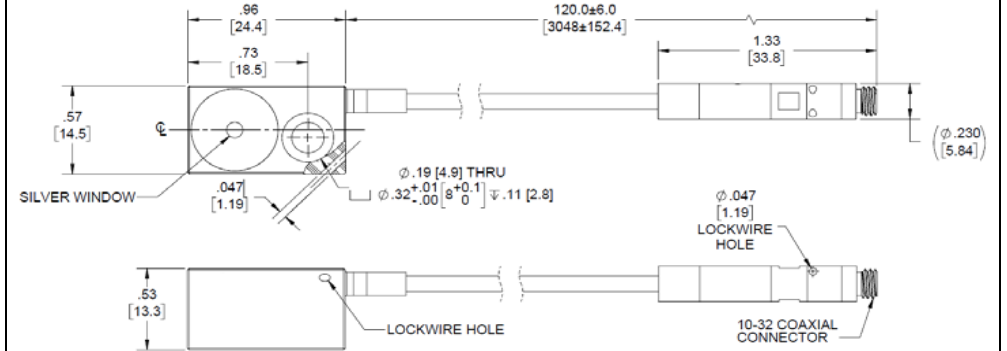
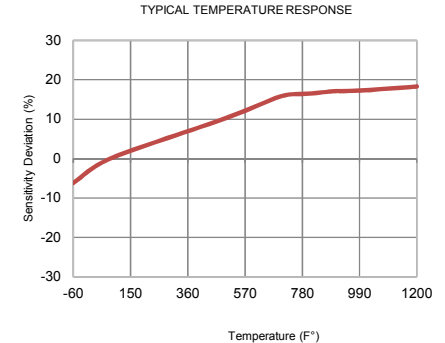
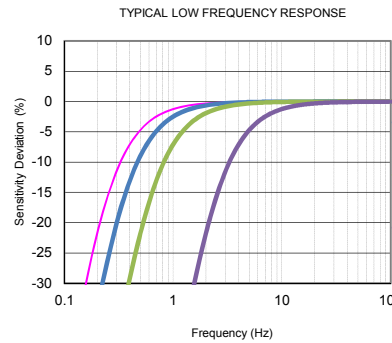
Refer to the performance specifications of the products in this family for detailed description.

Supplied Accessories:

- 1) Accredited calibration certificate (ISO 17025)
- 2) Mounting screw, model 6971 (SHCS, 10-32 X .75), Qty 1. Mounting screw model 69074 (Hex, 10-32 X.75) optional.

Notes:

- [1] Measured at 100Hz, 1 Grms per ISA RP 37.2
- [2] Measured using zero-based straight line method, % of F.S. or any lesser range.
- [3] Low frequency response and phase response is function of charge amplifier. See graph below for example.
- [4] In the interest of constant product improvement, we reserve the right to change specifications without notice.
- [5] U.S. Patent number US 8,375,793 B2 applies to this unit.



Units on the line drawing are in inches, units in brackets are in millimeters. Refer to 127-3335C for more information.

