

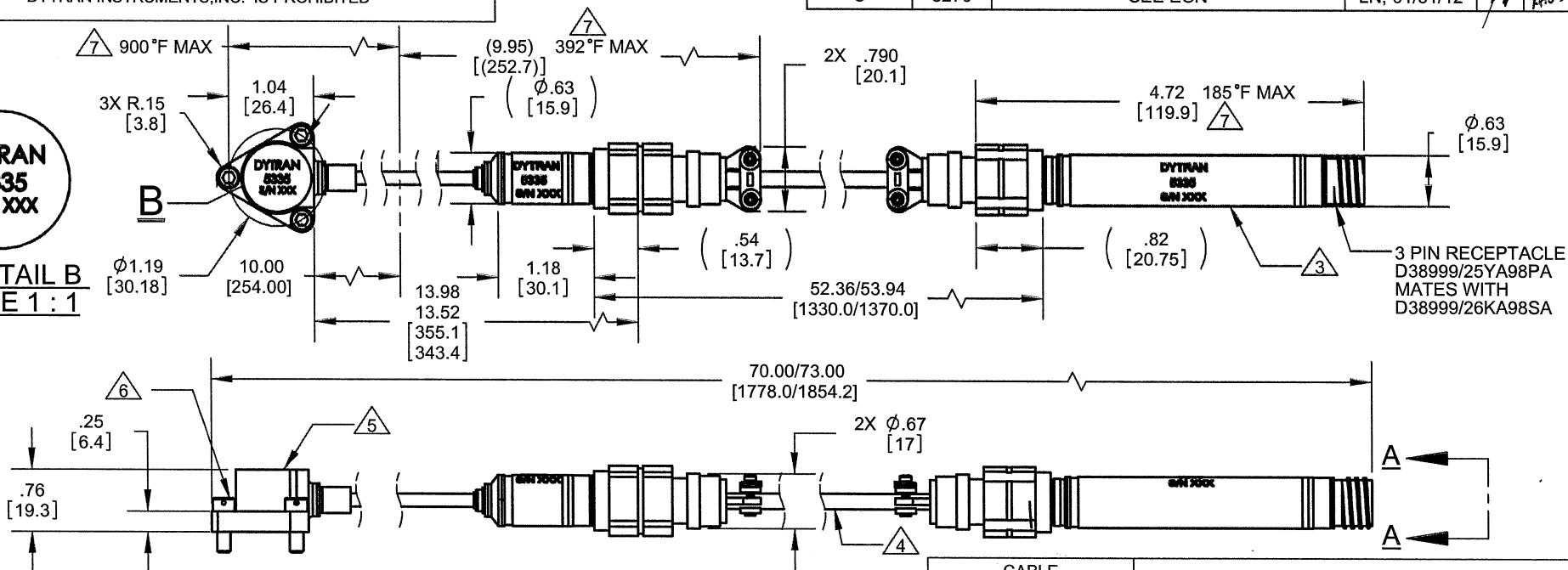
PROPRIETARY AND CONFIDENTIAL

THE INFORMATION CONTAINED IN THIS DRAWING IS THE SOLE PROPERTY OF DYTRAN INSTRUMENTS INC. ANY REPRODUCTION IN PART OR AS A WHOLE WITHOUT THE WRITTEN PERMISSION OF DYTRAN INSTRUMENTS, INC. IS PROHIBITED

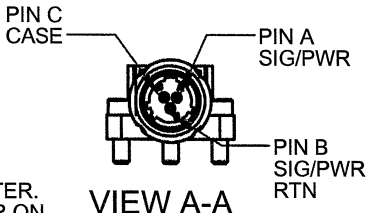
REVISIONS				
REV	ECN	DESCRIPTION	BY/DATE	CHK APPR
B	6163	SEE ECN	JS, 08/19/09	DV ANS
C	8270	SEE ECN	LN, 01/31/12	ANS



3X DETAIL B
SCALE 1 : 1



- 8. REFER TO 127-6888A FOR CABLE DETAIL
 - 7 MAXIMUM ENVIRONMENT TEMPERATURES ARE DESIGNATED
 - 6 MOUNTING SCREWS 8-32 UNC-3A (DYTRAN MODEL 6535) SUPPLIED
 - 5 ACCELEROMETER
 - 4 6888A4.5 CABLE ASSEMBLY SEE TABLE.
 - 3 THIS CHARGE AMPLIFIER MUST BE MATCHED WITH THE ACCELEROMETER. SERIAL NUMBER ON CHARGE AMPLIFIER MUST MATCH SERIAL NUMBER ON ACCELEROMETER.
2. WEIGHT: 400 GRAMS APPROX.
1. NOMINAL SENSITIVITY OF THE SYSTEM: 10 mV/g
- NOTES: UNLESS OTHERWISE SPECIFIED



CABLE (DYTRAN 145-0132-01)	DUAL CONDUCTOR LOW NOISE CABLE
CONDUCTORS	AWG 22 (19/32) SPC EE (PTFE) .06 DIA CONDUCTOR #1: M22759/5-22-9 (WHITE) CONDUCTOR #2: M22759/5-22-5 (BLUE)
LOW NOISE WRAP	CARBON TAPE .008 WALL
FILLER	2#FIBER GLASS
SHIELD	38 AWG SILVER PLATED COPPER 95% COVER 30°
KAPTON TAPE WRAP	.001 WALL THICKNESS
JACKET	WHITE TFE TAPE DBL WRAP .010/.015 THICK
DIA	.190 MAX
TEMPERATURE	392 °F WIRE RATED
VOLTAGE	600 VOLTS
FLAMMABILITY	CABLE MEETS FLAMMABILITY REQUIREMENT 14 CFR PART 25, APPENDIX F, PART (a)(3)

UNLESS OTHERWISE SPECIFIED:
INTERPRET DIM & TOL PER ASME Y14.5M - 1994.
REMOVE BURRS.
COUNTERSINK INTERNAL THDS 90° TO MAJOR DIA.
CHAM EXT THDS 45° TO MINOR DIA.
THD LENGTHS AND DEPTHS ARE FOR MIN FULL THDS.
THDS PER MIL-S-7742.
DIMENSIONS APPLY AFTER FINISHING.

ALL MACHINED SURFACES. TOTAL RUNOUT WITHIN .005.
BREAK SHARP EDGES .005 TO .010.
MACHINED FILLET RADII .005 TO .015.
WELDING SYMBOLS PER AWS A2.4.
ABBREVIATIONS PER MIL-STD-12.

UNLESS OTHERWISE SPECIFIED:
DIMENSIONS ARE IN INCHES.
DIMENSIONS IN BRACKETS [] ARE IN MILLIMETERS
TOLERANCES ARE:
INCHES METRIC ANGLES
.XX ± .03 .X ± 0.8 ± 1°
.XXX ± 0.10 .XX ± 0.25

MATERIAL

FINISH

DO NOT SCALE DRAWING

CONTRACT NO.

APPROVALS		DATE
ORIG	DV	07/09/09
CHK	DV	08/20/09
APP	ANS	8/24/09
APP		

DYTRAN INSTRUMENTS, INC. Chatsworth, CA

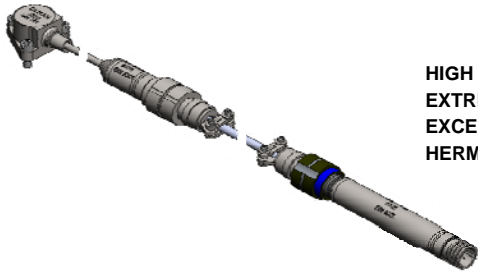
MASTER ONLY IF IN RED

TITLE: **OUTLINE/INSTALLATION DRAWING MODEL 5335**

SIZE	CAGE CODE	DWG. NO.	REV
A	2W033	127-5335	C

SCALE: 1:4 SOLIDWORKS SHEET 1 OF 1

Model Number 5335	PERFORMANCE SPECIFICATION		DOC NO PS5335
	HIGH TEMPERATURE VIBRATION MEASUREMENT SYSTEM		REV B, ECN 8270, 01/31/12



HIGH TEMPERATURE OPERATION
EXTREME STABILITY OVER TEMPERATURE
EXCELLENT LINEARITY
HERMETICALLY SEALED

PHYSICAL

Weight, including cables, accel and amplifier
 Size Accelerometer Case Length
 Case Width
 Case Height
 Charge Amplifier Case Length
 Diameter
 Length
 Cable from accel. To chg. amp.,
 Mounting provision, Three-hole flange for
 Connector from charge amplifier
 Housing Material

ENGLISH		SI	
14	oz	400	grams
1.2	Inches	30	mm
1.3	Inches	34	mm
0.8	Inches	19	mm
4.4	Inches	113	mm
Ø 0.63	Inches	Ø 16	mm
52.4	Inches	1331	mm
8-32 UNC-2A Screws		8-32 UNC-2A Screws	
D38999/25YA98PA		D38999/25YA98PA	
304L		304L	

PERFORMANCE (SYSTEM)

Sensitivity, ±5% [1]
 Range F.S for ± 5 Volts Output
 Frequency Range, ±5%
 Frequency Range, -3db
 Resonant Frequency, Nominal
 Equivalent Electrical Noise Floor
 Linearity [2]
 Maximum Transverse sensitivity
 Strain Sensitivity @ 250 µε

10	mV/g	1.02	mV/m/s ²
±500	g	±4900	m/s ²
4.8 to 1400	Hz	4.8 to 1400	Hz
1.6 to 4200	Hz	1.6 to 4200	Hz
35	kHz	35	kHz
0.015	Grms	0.147	m/s ² rms
± 2%	% F.S.	± 2%	% F.S.
5	%	5	%
0.012	g/µε	0.117	m/s ² /µε

ENVIRONMENTAL

Maximum Vibration
 Maximum Shock
 Temperature Range (Accelerometer)
 Temperature Range (Charge Amplifier)
 Seal, (Accelerometer & chg. amp)
 Coefficient of Thermal Sensitivity

±600	g's, peak	±5886	m/s ² peak
±2000	g's, peak	±19620	m/s ² peak
-65 to 900	°F	-54 to 482	°C
-50 to 185	°F	-45 to 85	°C
Hermetic		Hermetic	
0.02	%/°F	0.02	%/°C

Electrical

Supply Current Rnge [3]
 Compliance Voltage Range
 Output Impedence, Typ
 Bias Voltage
 Discharge Tme Constant, Nom
 Output Signal Polarity for Acceleration Towards Top
 Electrical Isolation, Ground Wire to Case

4 to 20	mA	4 to 20	mA
15 to 30	Volts	15 to 30	Volts
100	Ω	100	Ω
+7 to +9	VDC	+7 to +9	VDC
0.1	Sec	0.1	Sec
Positive		Positive	
10	GΩ, min	10	GΩ, min

This family also includes:

Model			

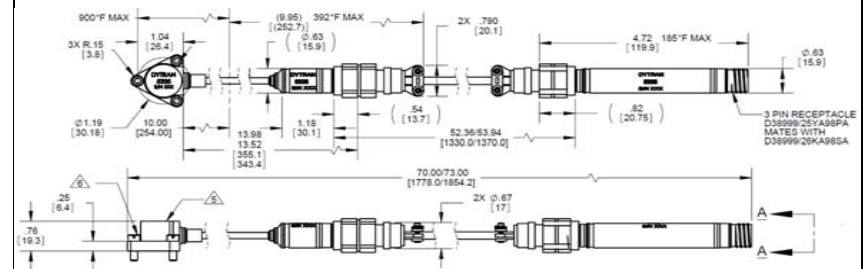
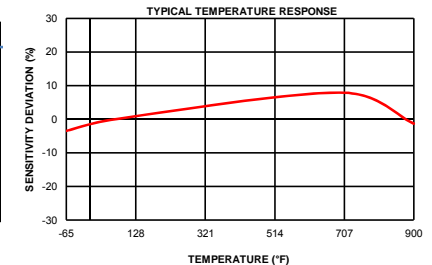
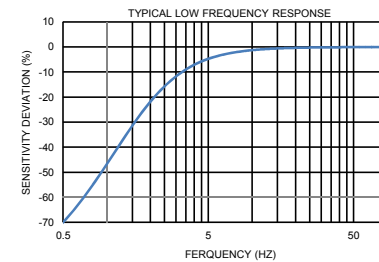
Please, refer to the performance specifications of the products in this family for detailed description

Supplied Accessories:

- 1) Accredited calibration certificate (ISO 17025)
- 2) (3) Mounting Screws, (Model 6535 8-32 UNC-2A)

Notes:

- [1] Measure at 100Hz, 1 Grms per ISA RP 37.2
- [2] Measure using zero-based straight line method, % of F.S. or any lesser range.
- [3] Do not apply power to this system without current limiting, 20 mA MAX. To do so will destroy the IC charge amplifier.



Units on the line drawing are in inches, units in brackets are in millimeters. Refer to 127-5335 for more information.



21592 Marilla Street, Chatsworth, California 91311 Phone: 818.700.7818 Fax: 818.700.7880 www.dytran.com
 For permission to reprint this content, please contact info@dytran.com